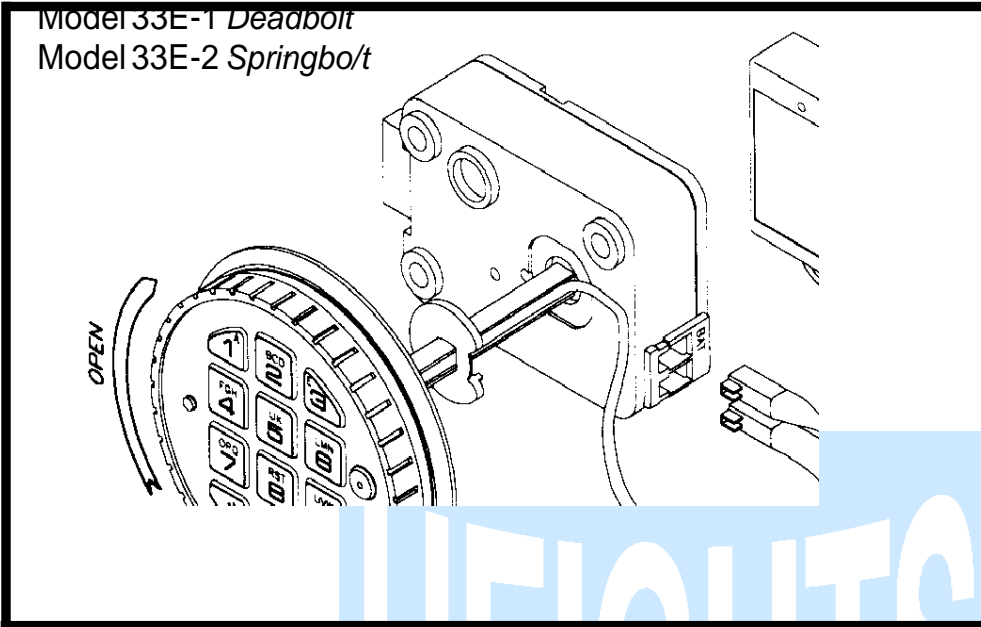




# COMBO [Q]

## 33E SERIES COMBINATION LOCK OPERATING INSTRUCTIONS



### FEATURES

### ACTIVE

*(May be activated at any time, by authorized service only.)*

- **MANAGER MODE** D  
Add/Temporarily Disable/Remove second user.
  - **TIME DELAY OVERRIDE** D  
Ability to add second combination to override Delay period.
  - **DUAL COMBINATION** D  
Two combinations required to open.
  - **SILENT SIGNAL ALARM** *(Optional Alarm Box Required)* O  
Duress Signal if last number of combination(s) entered one number higher or one number lower.
  - **REMOTE OVERRIDE SIGNAL** *(Optional Alarm Box Required)* O  
Two combinations OR remote signal plus primary user combination required to open.
  - **REMOTE DISABLE** *(Optional Alarm Box Required)* O
  - **TIME DELAY** O  
"Delay" period 1-99 minutes, "Open" period 1-19 minutes.
-

## **CHANGING COMBINATIONS** *(Lock signals twice after each valid entry.)*

- Enter six zeros.
- Enter old combination once.
- Enter new combination twice.
  - **Invalid Combination Entry**- Lock signals three times and old combination still valid.

## **ADD SECOND USER** *(ff manager, time delay override, remote override, or dual combination features activated.)*

- Enter primary user combination. HOLD DOWN LAST DIGIT OF COMBINATION until lock signals with **TWO** double beeps.
- **PRESS 1.** Lock signals twice.
- Enter second user combination twice. Lock signals twice after each valid entry.

## **DISABLE SECOND USER** *(Manager feature only.)*

- Enter primary user combination. HOLD DOWN LAST DIGIT OF COMBINATION until lock signals with **TWO** double beeps.
- **PRESS 2.** Lock signals once.
- Second user is temporarily disabled.

## **REINSTATE DISABLED USER** *(Manager feature only.)*

- Enter primary user combination. HOLD DOWN LAST DIGIT OF COMBINATION until lock signals with **TWO** double beeps.
- **PRESS 1.** Lock signals once.
- Second user is reinstated.

## **REMOVE SECOND USER** *(Manager feature only.)*

- Enter primary user combination. HOLD DOWN LAST DIGIT OF COMBINATION until lock signals with **TWO** double beeps.
- **PRESS 3.** Lock signals once.
- Second user is permanently removed.

## **DUAL COMBINATION OPERATION** *(ff feature is active.)*

- Must add second user to open lock. (See ADD SECOND USER)
    - Second user can not be disabled or removed.
  - If Time Delay is active, one valid combination will start Delay period.
    - Both combinations required to open lock in Open period.
-

**TIME DELAY** *(If feature is active. Delay/Open times may be changed by authorized person only.)*

- Enter valid combination.
  - Delay period starts.
  - LED flashes red at one second intervals.
    - If valid combination entered during delay, Delay period restarts.
    - If invalid combination entered during delay, Delay period aborts.
- At end of delay period, Open period starts.
  - LED flashes red at 1/2 second intervals.
  - Lock beeps at 10 second intervals.
- During Open period, enter valid combination(s).
  - If invalid combination entered during open, Open Period continues.
  - If four consecutive invalid combinations entered Wrong Try Penalty starts.

**TIME DELAY OVERRIDE** *(If feature is active.)*

- Must add second combination. (See ADD SECOND USER)
  - Second combination can not be disabled/removed.
- Entry of override combination during Delay period will open the lock.

**SILENT SIGNAL ALARM** *(If feature is active AND optional alarm Box connected.)*

- Enter last digit of combination(s) one number higher or one number lower.  
*Example:*
- |             |                            |
|-------------|----------------------------|
| Combination | 1-2-3-4-5-6                |
| Duress      | 1-2-3-4-5-7 or 1-2-3-4-5-5 |

**REMOTE OVERRIDE SIGNAL** *(If feature is active AND optional alarm Box connected.)*

- Remote signal plus primary user combination will open lock.
- If remote signal not active, needs a second user to open. (See ADD SECOND USER)
  - Second user can not be disabled/removed.

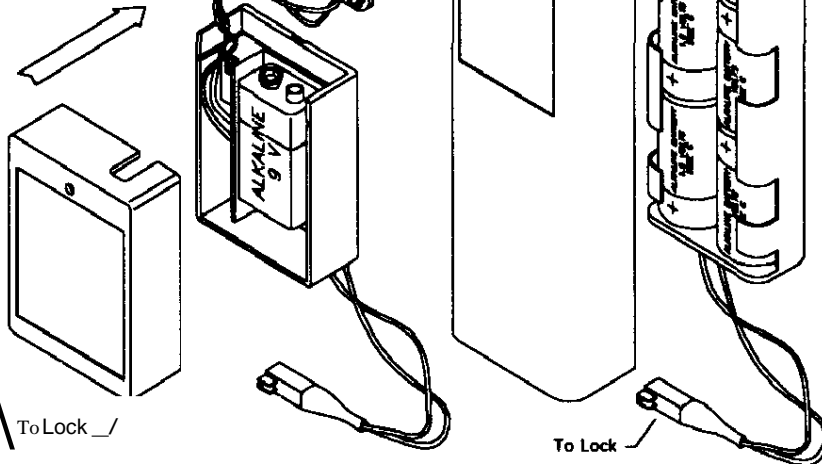
**WRONG TRY PENALTY** *(Standard feature.)*

- Entry of four consecutive invalid combinations initiates a 5-minute delay period. – LED flashes red at 10 second intervals.
  - At end of penalty period, two more consecutive invalid combinations will restart the 5-minute delay period.
-

indicates that the unit is low on battery and needs immediate replacement!

- Use one (1) 9-Volts Alkaline Battery or six (6) 1.5-Volts Alkaline Batteries Size C.

Model 2788 Battery Box (Standard)



**SJ**

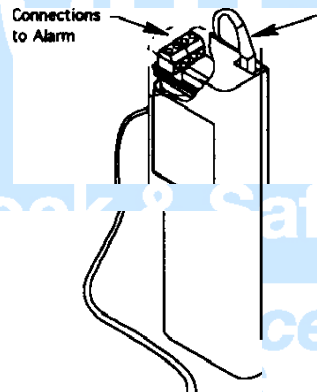
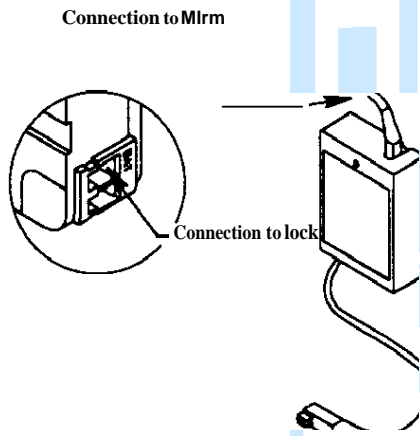
To Lock

Connection to lock

**OPTIONS**

Model 2789 Alarm/Battery Box (Optional)

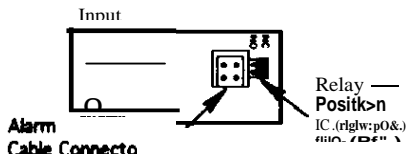
Model 4002 Large Alarm/Battery Box (Optional)



Connection to Lock

**MODEL 2719 ALARM CONNECTIONS**

4-26 AWG.  
**Alarm Buzzer**  
 Red + Black  
 Normally Open (NO) or Normally Closed (NC)  
 50 VDC @ 0.25 A Max  
**Override**  
 Green - Negative  
 S-12 VDC @ 20...Max

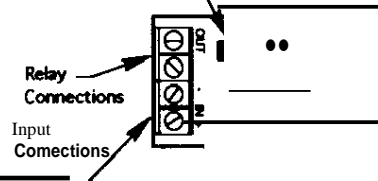


**MODEL 4002 ALARM CONNECTIONS**

**Alarm Relay**  
 Out - 50 VDC @ 0.25 A Max  
 Input - S-12 VDC @ 20 mA Max

**Alarm Relay Position**

NO - (right pos.)  
 IC - (left pos.)



PC Board